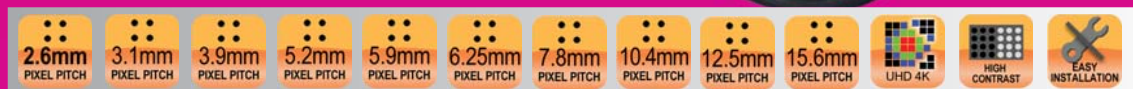




digiTILE Q

FIXED

**THE FIRST GENERATION OF
A UNIVERSAL LED TILE SCREEN SYSTEM**



A new generation of universal LED Tile screen system that has been developed to meet the demands of adaptability. Using a basic LED digiTILE with it's magnetic fixings it is possible to assemble a screen swiftly onto any magnetic surface and connect each digiTILE to a PDP (Power Distribution Pack) mounted close by via an umbilical cord. With digiTILE, it is now possible to create a screen as thin as 60mm in depth.

The latest digiTILE product range has been developed to cater for the HD market which fits into the standard format module basics of 500x500mm format providing blistering HD quality both in performance and colour technology.

digiTILE Q FIXED outdoor

MODULE SPECIFICATIONS



		Q 3910o	Q 5200o	Q 6250o	Q 7800o	Q 10o	Q 12.5o	Q 15.6o
LEDS								
Physical Pixel Pitch (HxV)	mm	3.906	5.208	6.250	7.812	10.4	12.5	15.625
LEDs Per Pixel					1R1G1B			
Red Wavelength (Dominant)	nm				620			
Green Wavelength (Dominant)	nm				520			
Blue Wavelength (Dominant)	nm				465			
PIXELS								
Pixel Configuration					SMD 3-in-1			
LED Face Colour					Black body			
LED Size		SMD1921	SMD2727	SMD2727	SMD2727	SMD2727	SMD2727	SMD2727
Physical Pixel Resolution (Width)	pixels/module	64	48	40	32	24	40	32
Physical Pixel Resolution (Height)	pixels/module	64	48	40	32	24	40	32
Physical Pixels Per Area (std Tile)	pixels/m2	65,536	36,864	25,600	8,192	9,216	6,400	4,096
MODULE								
Active Tile Width	mm				250			
Active Tile Height	mm				250			
Standard Active Module Area	m2				0.0625			
Tile Depth	mm				16			
Standard Tile Weight	kg				0.87 (0.19 for Cable)			
PDP Width x Length x Depth	mm				172.5 x 730 x 60			
PDP Weight	kgs				4.5			
Viewing Angle - Horizontal	degrees				≥140			
Viewing Angle - Vertical	degrees				≥120			
Ingress Protection	(Front)				IP65			
Ingress Protection	(Back)				IP56			
Surface Finish					Die-Cast Aluminium			
LED Fixings					Front access			
Storage Temperature Range	degree C				-10 to +50			
Operating Temperature Range	degree C				-10 to +50			
Operating Humidity Range	%				10 to 90 Non-condensing			
COLOUR								
Greyscale Processing Depth	bits				16			
Number of Colours					281 trillions			
Refresh Rate	Hz				>1,920			
BRIGHTNESS								
Brightness (Before Calibration)	nits	>6,500	>6,500	>6,500	>6,500	>5,500	>5,500	>5,500
Brightness (After Calibration) est.	nits	>6,000	>6,000	>6,000	>5,500	>5,000	>5,000	>5,000
Brightness Control					256 Levels			
Contrast ratio					2,000:1			
POWER								
Input Voltage	VAC				110~240			
Input Power (Average)	watts/m2	240	240	259	259	201	201	201
Input Power (Maximum)	watts/m2	800	800	864	864	672	672	672
OTHER								
Lifespan	hours				>100,000			
Computer System Type					PC Win10, Win7, Vista, XP, WIN2000			
Video Input					AV, S-Video,VGA, DVI, HDMI, YPbPr, SDI			
Data Input Connector					Ethernet, Fibre Optic			
Power Input Connector					Flying lead			
Control System					NovaStar			
Certification					CE, EMC, RoHS			

All specifications are correct at time of print, however they are liable to change and should be confirmed at point of order



digiTILE Q FIXED indoor

MODULE SPECIFICATIONS

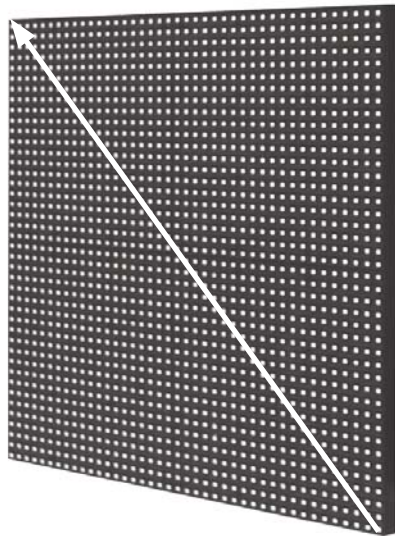


		digiTILE Q 2600	digiTILE Q 3125	digiTILE Q 3910	digiTILE Q 5950
LEDS					
Physical Pixel Pitch (HxV)	mm	2.604	3.125	3.906	5.952
LEDs Per Pixel		1R1G1B			
Red Wavelength (Dominant)	nm	620			
Green Wavelength (Dominant)	nm	520			
Blue Wavelength (Dominant)	nm	465			
PIXELS					
Pixel Configuration		SMD 3-in-1			
LED Face Colour		Black body			
LED Size		SMD1515	SMD2020	SMD2020	SMD3528
Physical Pixel Resolution (Width)	pixels/module	96	80	64	42
Physical Pixel Resolution (Height)	pixels/module	96	80	64	42
Physical Pixels Per Area (std Tile)	pixels/m2	147,456	102,400	65,536	28,224
MODULE					
Active Tile Width	mm	250			
Active Tile Height	mm	250			
Standard Active Module Area	m2	0.0625			
Tile Depth	mm	16			
Standard Tile Weight	kg	0.87 (0.19 for Cable)			
PDP Width x Length x Depth	mm	172.5 x 730 x 60			
PDP Weight	kgs	4.5			
Viewing Angle - Horizontal	degrees	≥140			
Viewing Angle - Vertical	degrees	≥140			
Ingress Protection	(Front)	IP40			
Ingress Protection	(Back)	IP40			
Surface Finish		Die-Cast Aluminium			
LED Fixings		Front access			
Storage Temperature Range	degree C	-10 to +50			
Operating Temperature Range	degree C	-10 to +50			
Operating Humidity Range	%	10 to 90 Non-condensing			
COLOUR					
Greyscale Processing Depth	bits	16			
Number of Colours		281 trillions			
Refresh Rate	Hz	>1,920			
BRIGHTNESS					
Brightness (Before Calibration)	nits	>1,200	>1,200	>1,300	>1,300
Brightness (After Calibration) est.	nits	>1,100	>1,100	>1,150	>1,150
Brightness Control		256 Levels			
Contrast ratio		4,000:1			
POWER					
Input Voltage	VAC	110~240			
Input Power (Average)	watts/m2	230	172	187	187
Input Power (Maximum)	watts/m2	768	576	624	624
OTHER					
Lifespan	hours	>100,000			
Computer System Type		PC Win10, Win7, Vista, XP, WIN2000			
Video Input		AV, S-Video, VGA, DVI, HDMI, YPbPr, SDI			
Data Input Connector		Ethernet, Fibre Optic			
Power Input Connector		Flying lead			
Control System		NovaStar			
Certification		CE, EMC, RoHS			

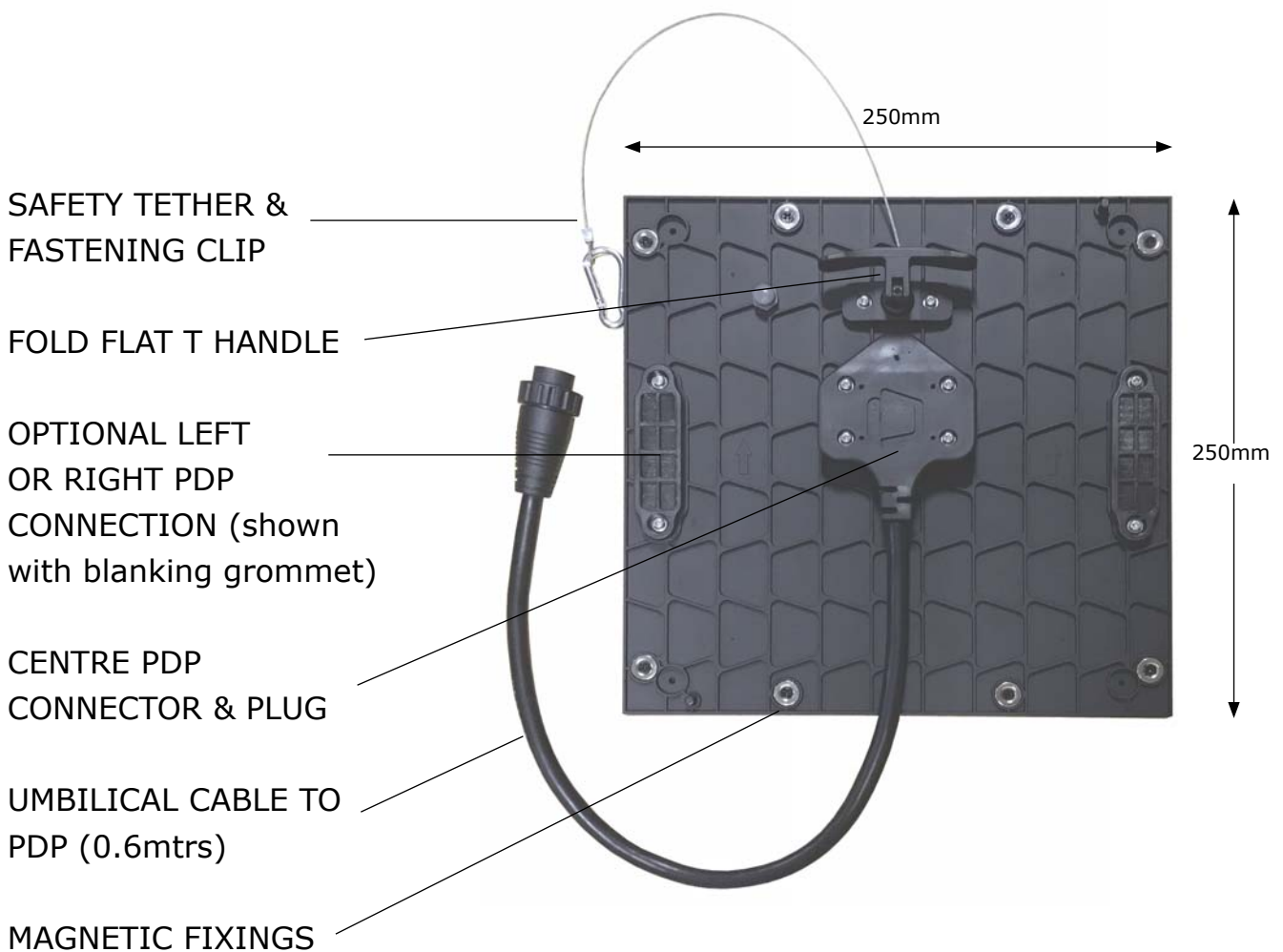
All specifications are correct at time of print, however they are liable to change and should be confirmed at point of order



digiTILE Q FIXED TILE DETAIL



digiTILE Q
Aspect Ratio 1:1



digiTILE Q FIXED PDP DETAIL

digiTILE PDP6

STATUS INDICATOR PANEL

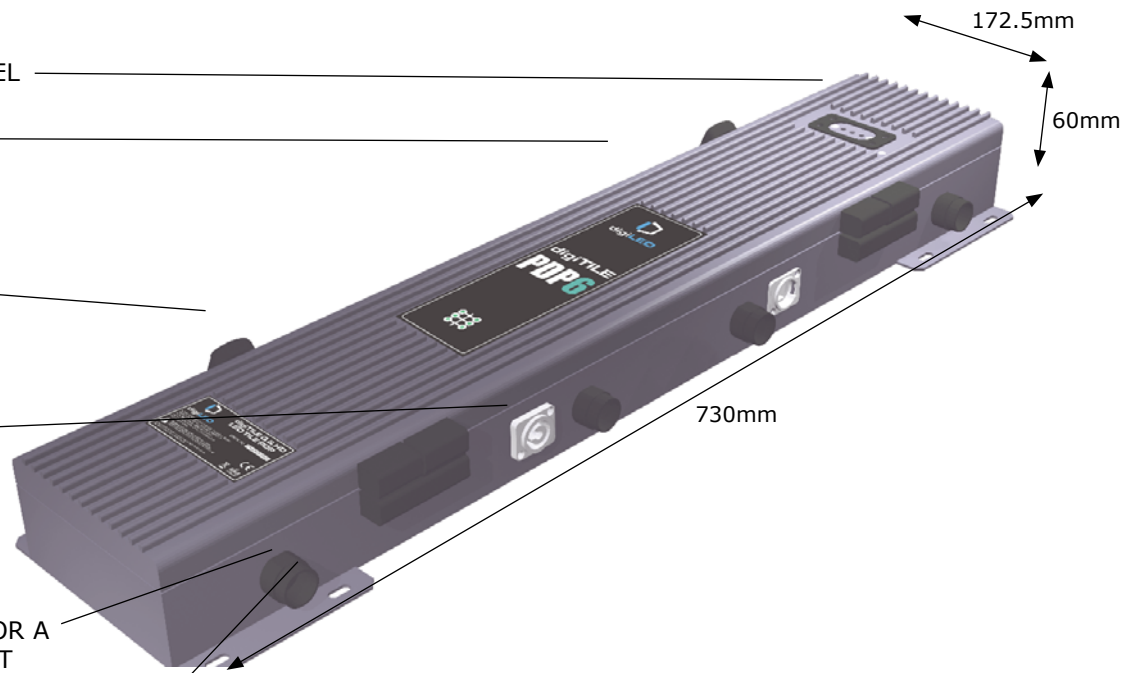
REAR DOOR

LOCK

POWER CONNECTION

UMBILICAL PDP
CONNECTION SOCKET FOR A
2 x 3 TILE ARRANGEMENT

WEATHERPROOF CONNECTOR COVER
(outdoor versions)



digiTILE PDP8

STATUS INDICATOR PANEL

REAR DOOR

LOCK

POWER CONNECTION

UMBILICAL PDP
CONNECTION SOCKET FOR A
2 x 4 TILE ARRANGEMENT

WEATHERPROOF CONNECTOR COVER
(outdoor versions)

